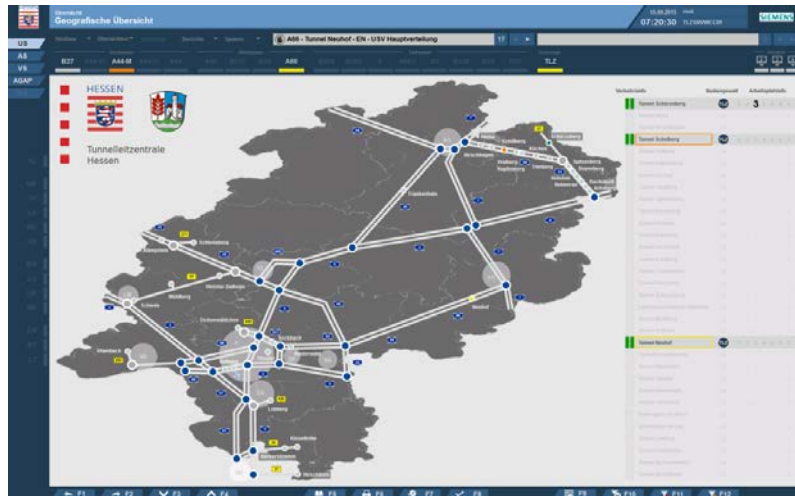


Central tunnel control system in Hesse



Segment: Traffic - Tunnel

End user: Hessen Mobil - Road and Traffic Management

System integrator: Siemens AG, Building Technologies, CoC Tunnel

Realization date: 2012 - 2014

Requirements:

- One single, comprehensive solution for the monitoring of 30 existing and planned tunnels
- Easy and common operation
- Quality of the software components in the field of tunnel automation should be tested and ensured

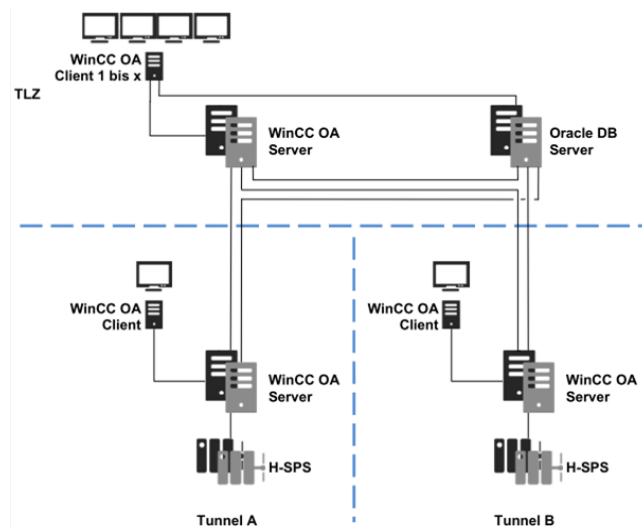
For road tunnels with a length of more than 400 m constant monitoring is required by qualified personnel. In the federal state of Hesse this challenging task is carried out by the dispatcher of the tunnel control center in Eschwege, on behalf of Hessen Mobil. The planned expansion of the Hessian Tunnel landscape, particularly in connection with the construction of the A44, made a redesign of the monitoring systems in the central headquarter necessary.

Solution:

- 2 redundant server for the control center, several clients, 2 redundant server per tunnel
- Parallel archiving in historical DB and central Oracle DB
- Excel reporting to analyze operating hours and energy consumption

Benefits:

- Higher security in operation due to standardized objects – same appearance - same behavior
- Highest availability of the monitoring function and scalability for the planned expansion of the tunnel landscape



HESSEN

